

3 Port Mechanical Valve/Heavy Duty Style

Series VM800

Sturdy Construction.
NC and NO models available.
Piping possible to any port.
Many actuator positions and orientation options.



Specifications

Fluid	Air
Operating pressure	-100kPa to 1.0MPa
Ambient and fluid temperature	-5 to 60°C (No freezing)
Effective area (Nl/min)	6mm ² (294.20)
Lubrication	Not required/Turbine oil #1 (ISO VG32)
Port size	1/8
Weight (Basic)	180g

Model

Actuator	Model	Actuator part No.
Basic	VM830-01-00	—
Roller lever	VM830-01-01	VM-01F
Adjustable roller lever	VM830-01-13	VM-13F
Adjustable rod lever	VM830-01-14	VM-14F



Actuator replacement is available.

How to Order

E VM8 3 0 - [] 01 - 01

Area code

-	Japan, Asia, Australia, England
E	Europe
N	North America

Number of ports

3	3 ports
----------	---------

Thread

-	Rc(PT)
F	G(PF)
N	NPT
T	NPTF

Port size

01	1/8
-----------	-----

Actuator

00	Basic
01	Roller lever
13	Adjustable roller lever
14	Adjustable rod lever

Applications

Movement is changeable

Standard movements: Actuated, Actuated, Free travel, Actuated, Actuated, Free travel

Stepped plunger

Undo screw to reverse lever

Roller can be mounted to inside of lever

Undo screw to reverse lever

Lever length adjustment

MAX 1412

Undo screw to adjust rod length

It can be operated by bending the rod. In this case, make sure that the minimum bending radius of the rod is 10R or more.

Lever location can be changed

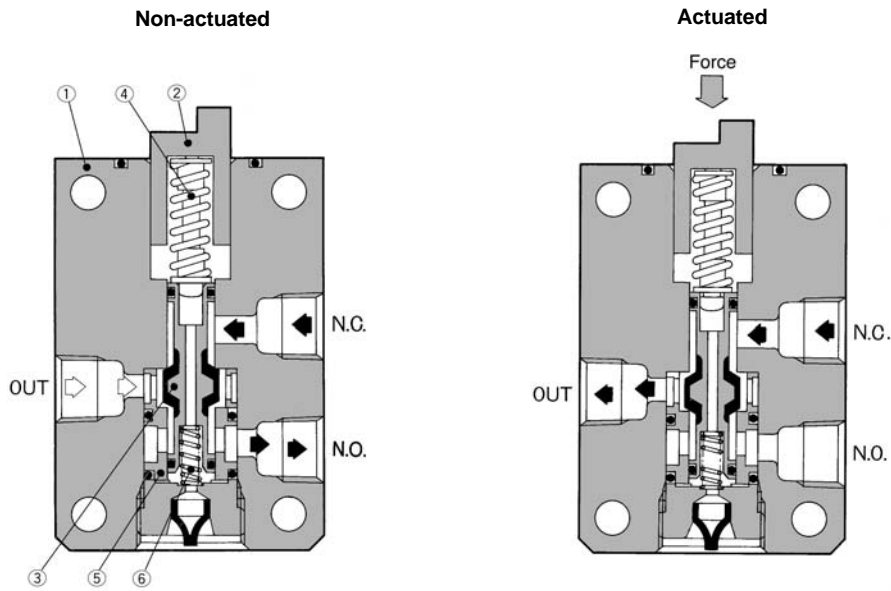
Undo screw to adjust through

Head direction can be changed

Loosen the hexagon socket bolt to adjust the lever.

MAX 180 MIN 120

Construction



S□A

V□A

S□A

V□A

VM/VR

VH

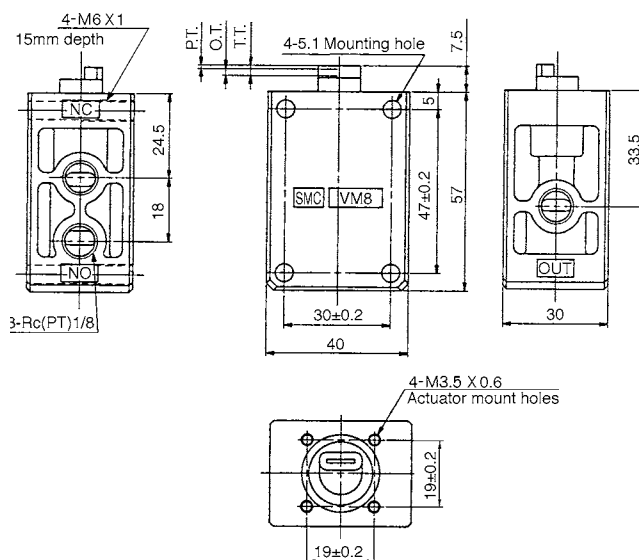
Component Parts

No.	Description	Material	Notes
①	Body	Aluminum alloy	Metallic plated
②	Plunger	Polyacetal	
③	Spool valve	Aluminum alloy, NBR	Rubber lined

No.	Description	Material	Notes
④	Over travel spring	Stainless steel	
⑤	Retainer	Brass	
⑥	Spring	Steel	Zinc chromate

Series VM800

Basic/VM830-01-00



JIS Symbol

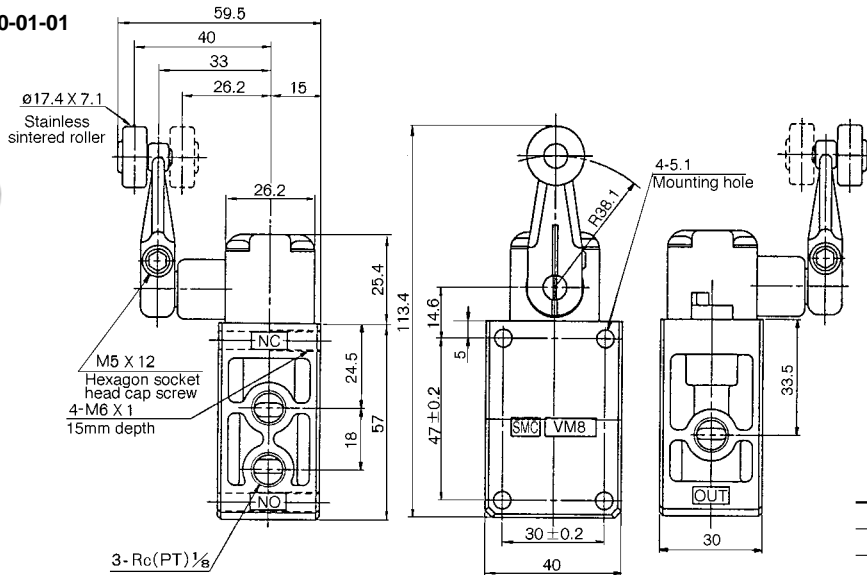


F.O.F.	23N
P.T.	1mm
O.T.	2mm
T.T.	3mm

VM800

Series VM800

Roller Lever/VM830-01-01

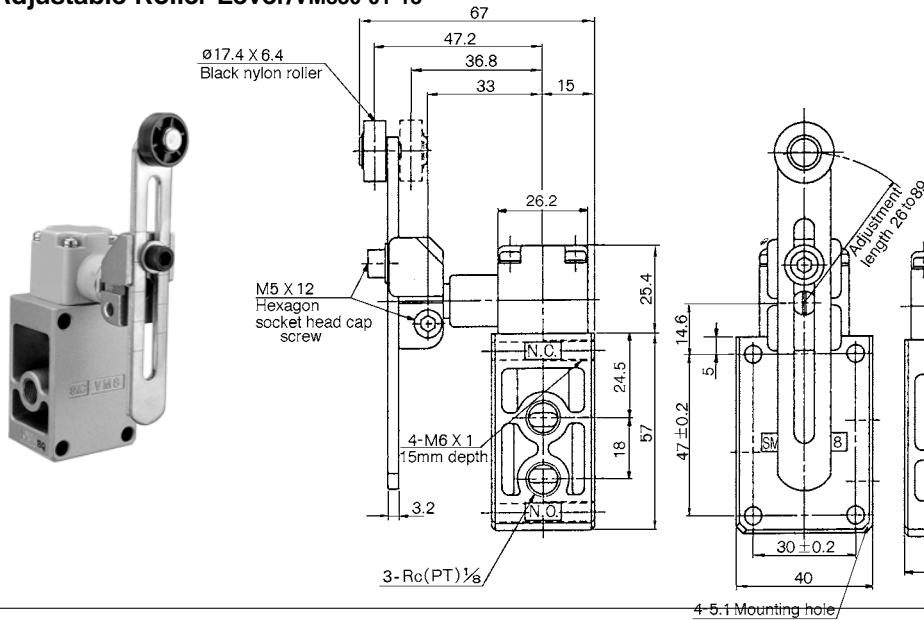


JIS Symbol

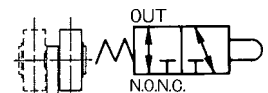


F.O.F.	20N
P.T.	20°
O.T.	30°
T.T.	50°

Adjustable Roller Lever/VM830-01-13



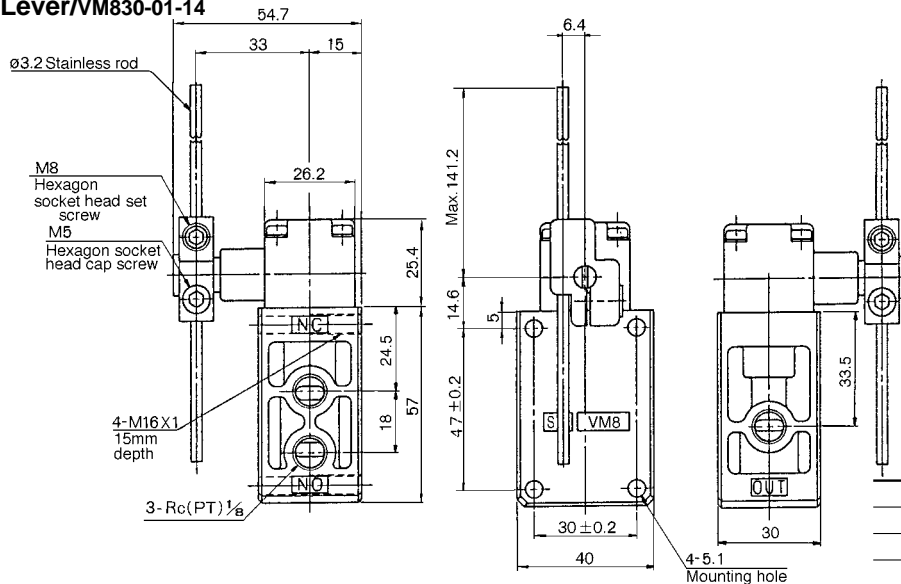
JIS Symbol



F.O.F.*	20N
P.T.	20°
O.T.	30°
T.T.	50°

* At lever length 38.1mm

Adjustable Rod Lever/VM830-01-14



JIS Symbol



F.O.F.*	2.3N
P.T.	20°
O.T.	30°
T.T.	50°

* At lever length 141.2mm